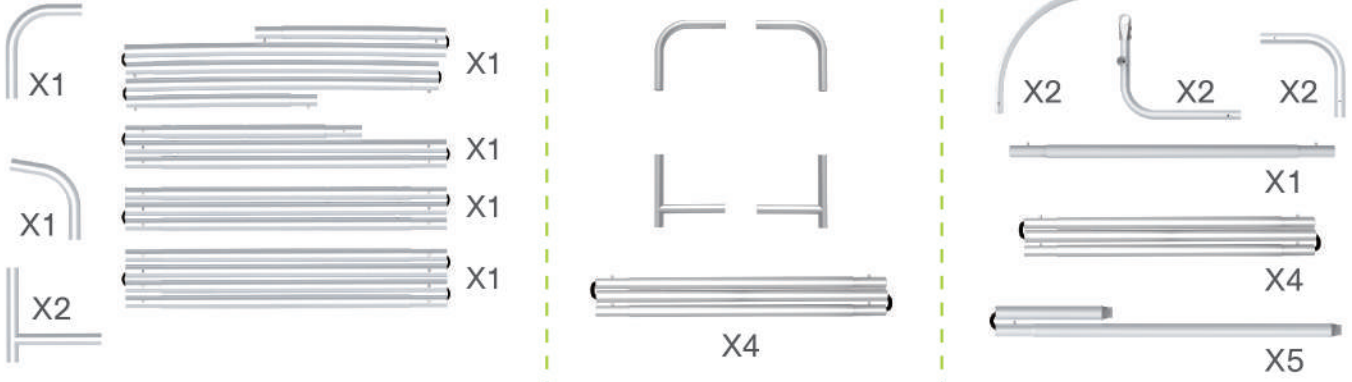
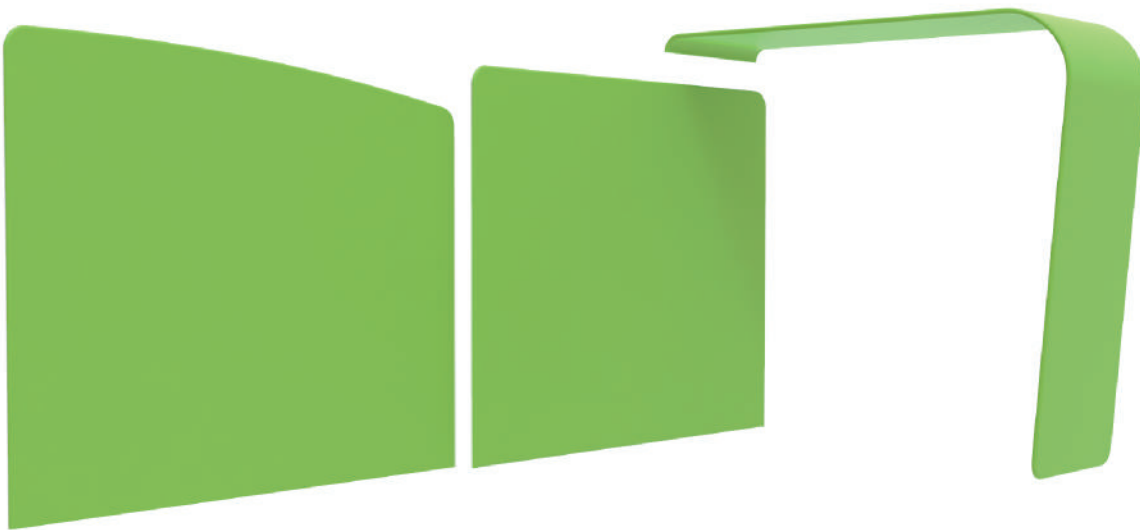


PARTS

(1) Hardware

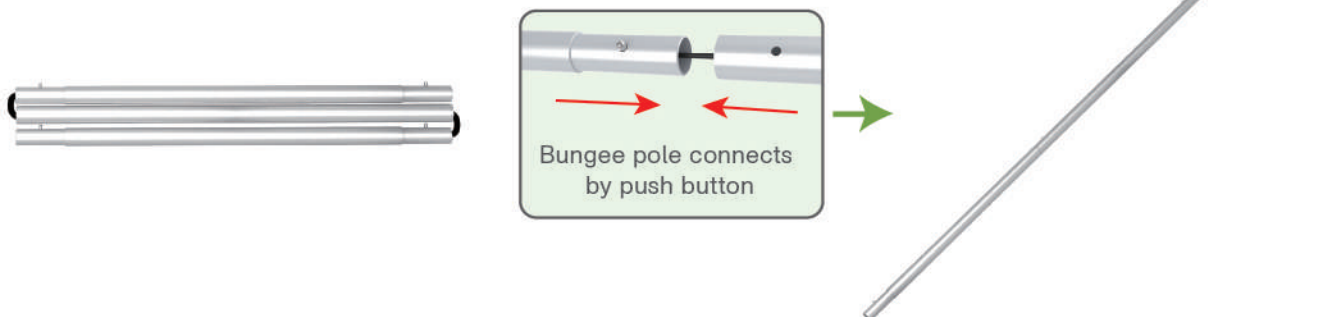


(2) Graphic printing fabric banner



STEP 01

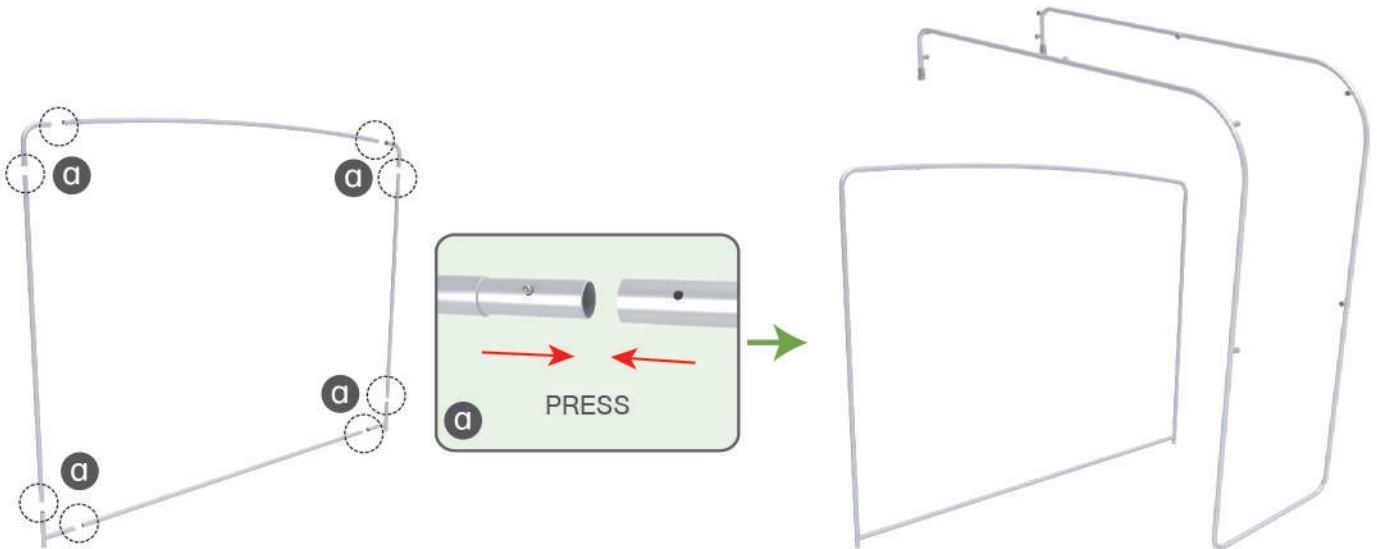
To connect the poles according to the labellings



PARTS

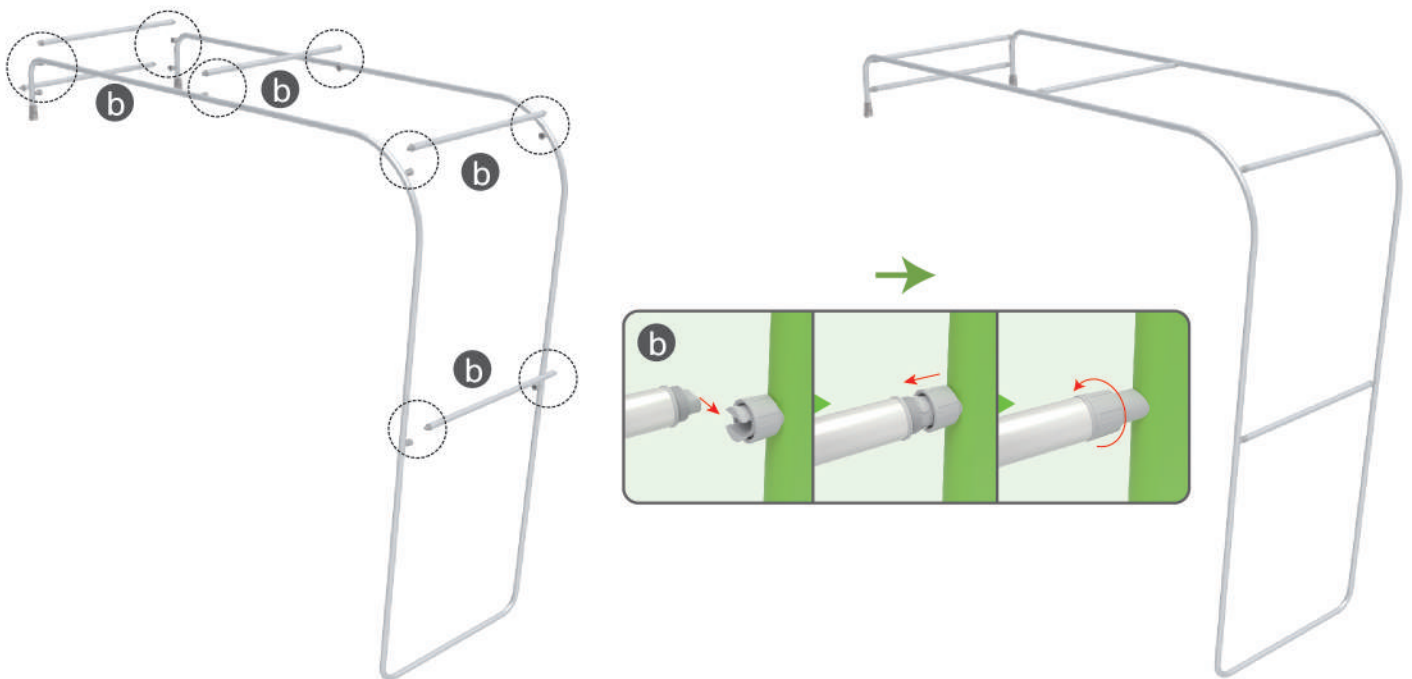
STEP 02

To use corner pieces to connect the poles to be display stand



STEP 03

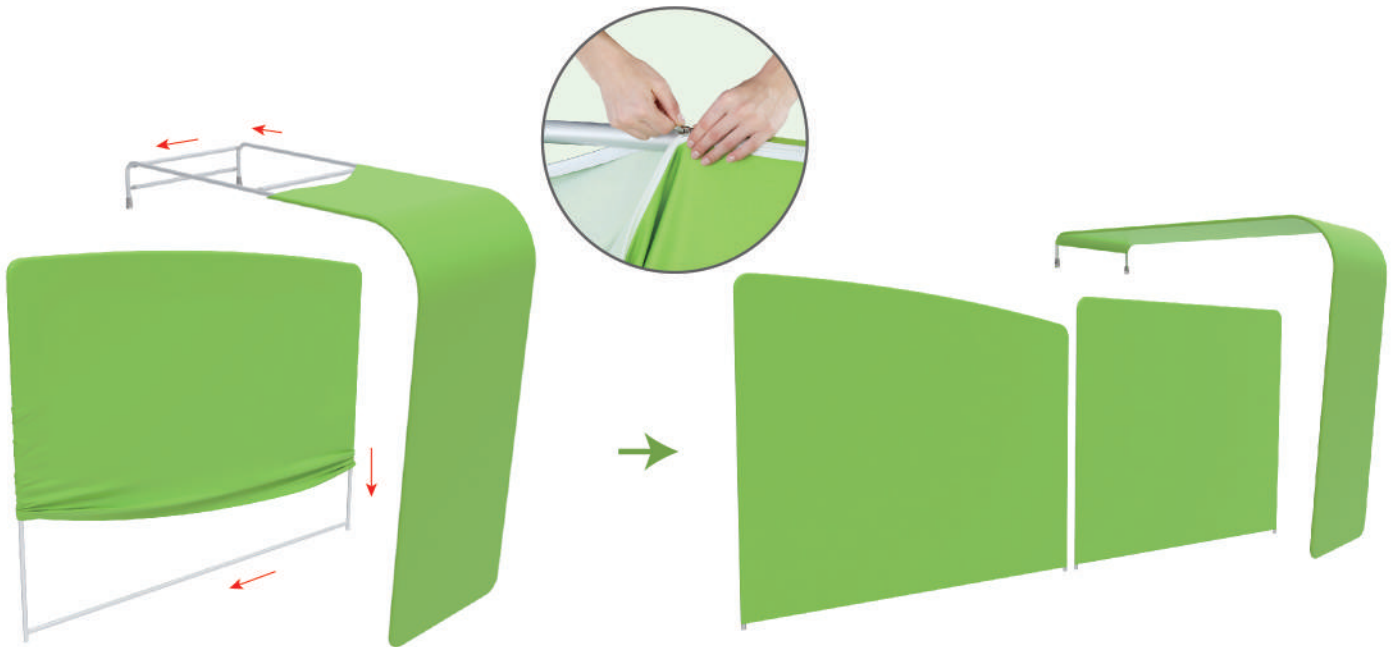
To assemble cross bar at the Arch stand according to the labellings



PARTS

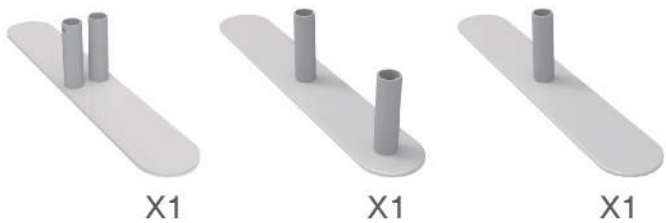
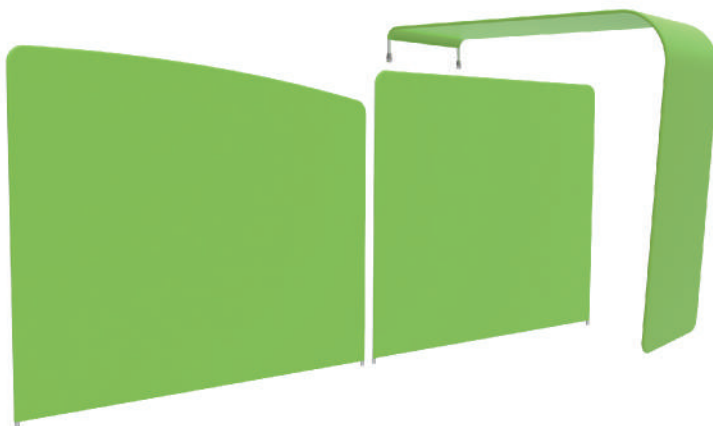
STEP 04

To slide the fabric banner over the frame from top (bottom) and zip up at bottom (top)



Same steps for below style of headers

Booth Set Assembly



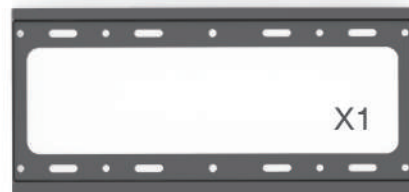
LED Light



Light Clips



X2



X1



X1

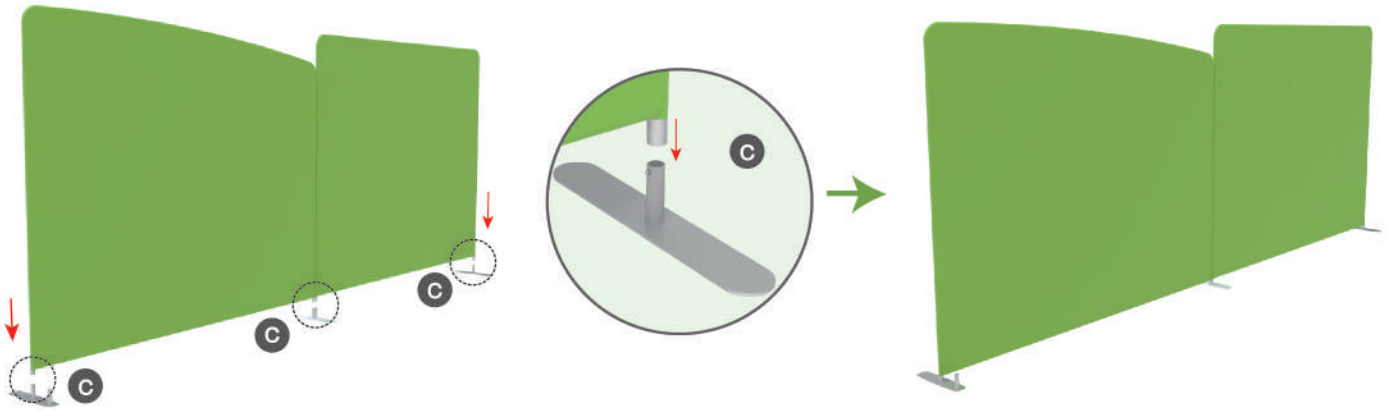
X1



PARTS

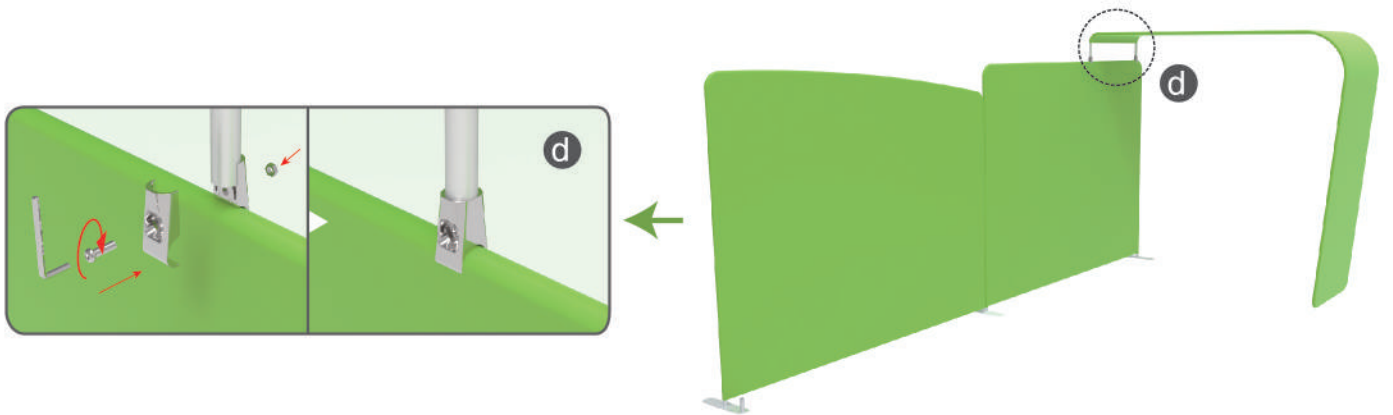
STEP 01

To install the stand feet in position



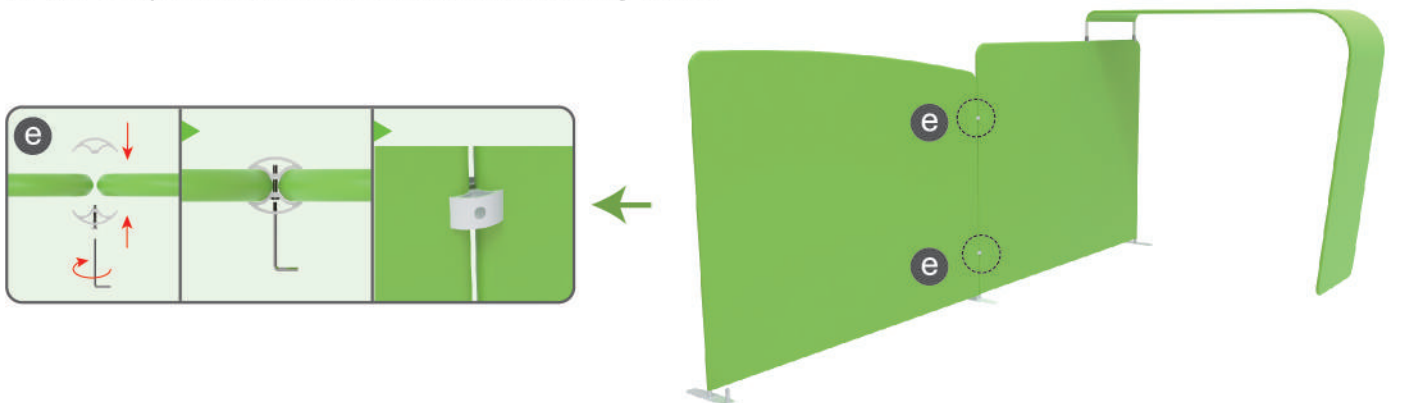
STEP 02

To loose the screw of clamp a bit and clip the Arch stand onto the back wall then fasten it



STEP 03

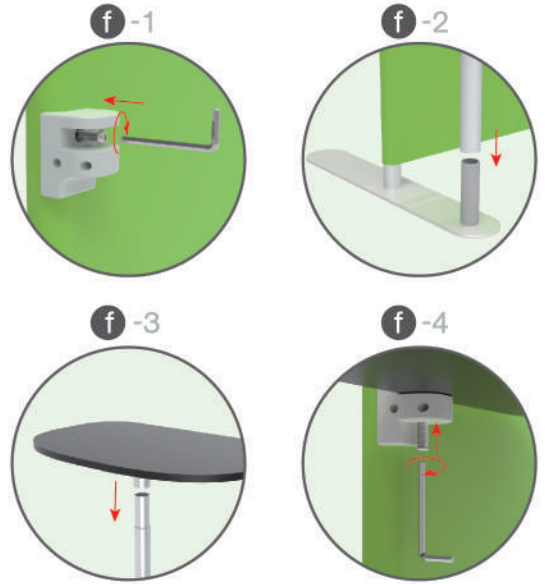
To use C clips in between the 2 walls and fasten by screw.



PARTS

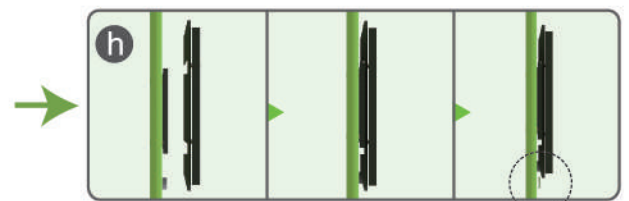
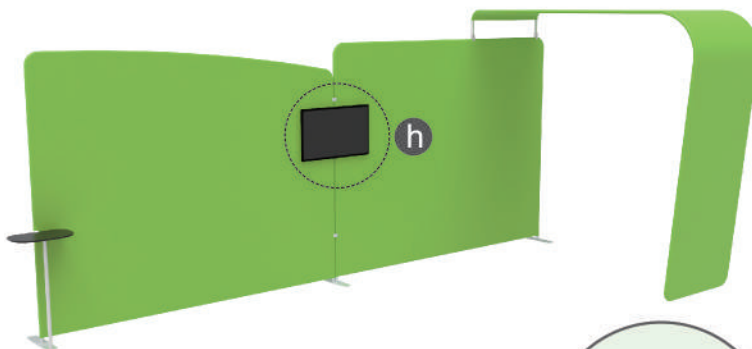
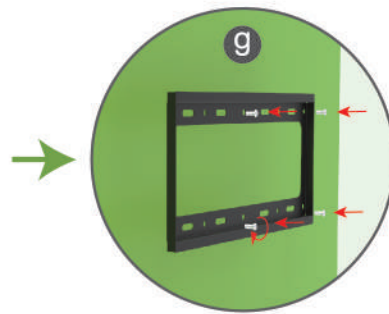
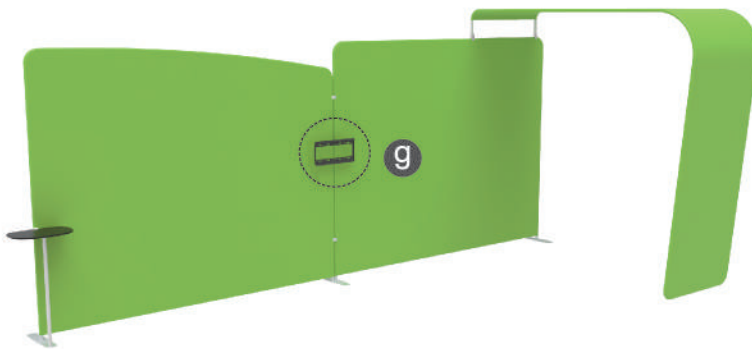
STEP 04

To install the shelf in position



STEP 05

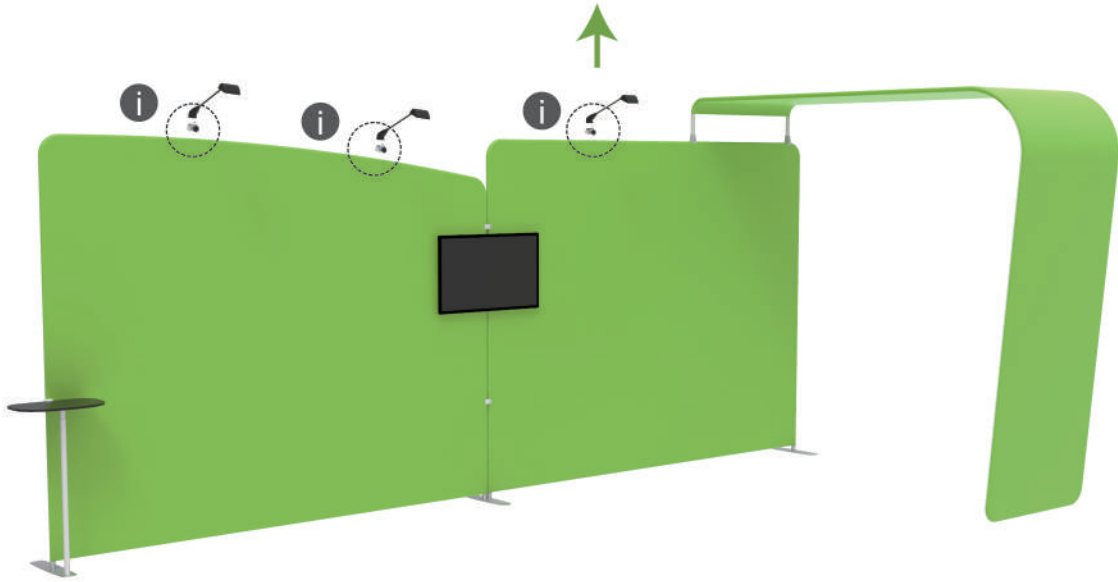
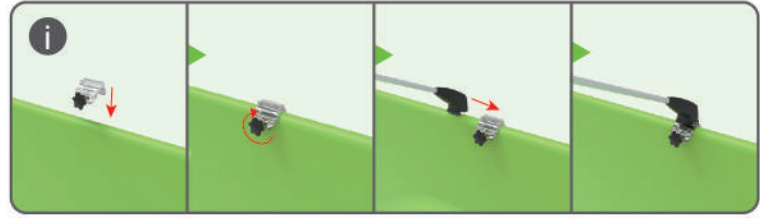
To install the TV mount in position



PARTS

STEP 06

Install LED light



10X20ft-Booth-13